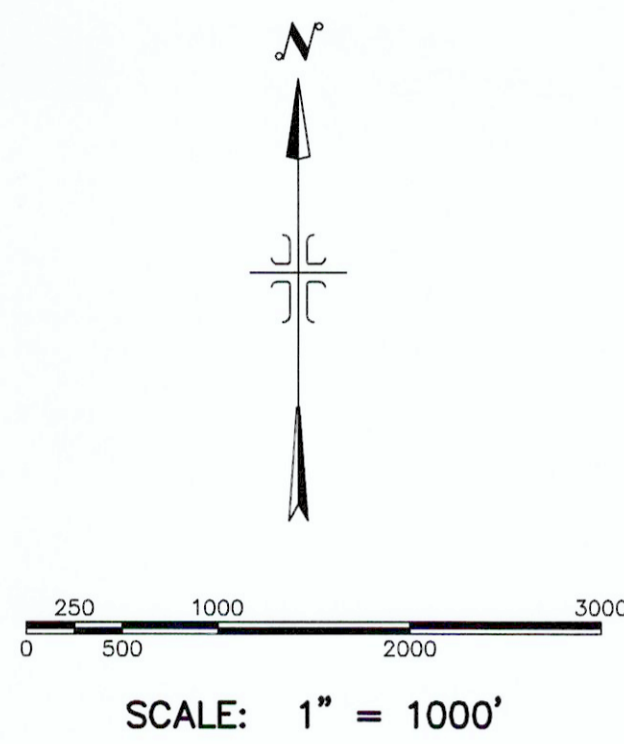
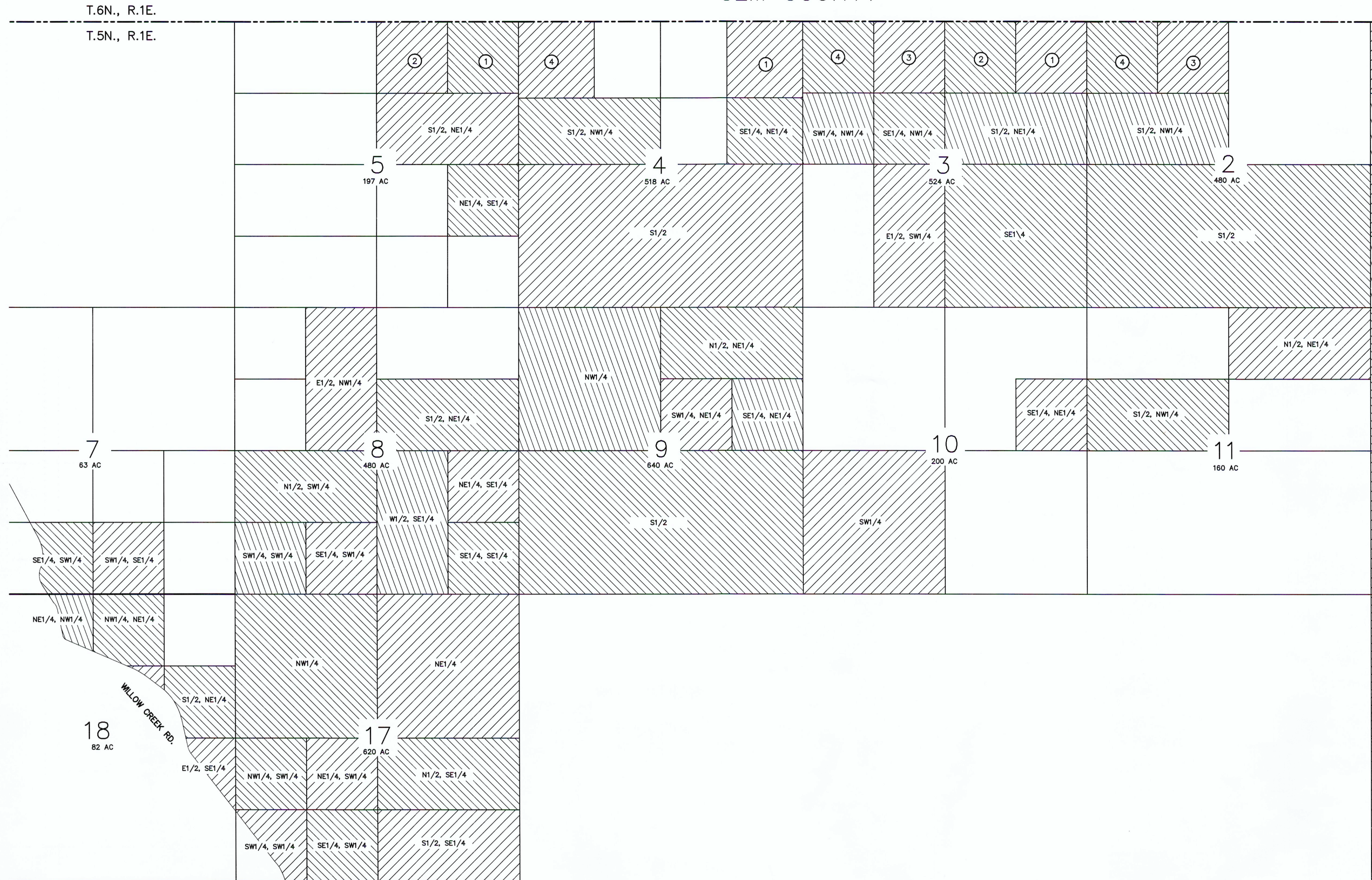


GEM COUNTY

ADA COUNTY
TOTAL AREA ≈ ±6,994 ACRES



LEGEND
 21 SECTION NUMBER
 ⑦ GOVERNMENT LOT NUMBER

NO.	REVISIONS	BY	DATE

ISG IDAHO SURVEY GROUP, LLC
 9955 W. EMERALD ST.
 BOISE, IDAHO 83704
 PH. (208) 846-8570
 FAX (208) 884-5399

AVIMOR

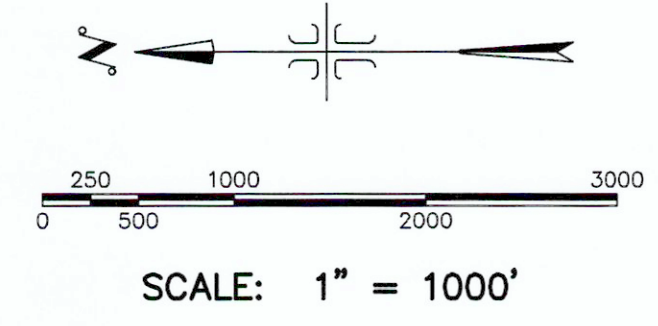
ADA COUNTY ANNEXATION EXHIBIT

LOCATED SECTIONS 1-5, 7-12, 13, 17, 18, 24, T.5N., R.1E., AND SECTIONS 6, 7, 8, 17, 18 AND 19 T.5N., R.2E., B.M., ADA COUNTY, IDAHO

DRAWN: CMCCAMMON	CHECKED: GGC	JOB NO. 17-410	SHEET NO. 1 OF 2
DATE: 4/12/2022	DATE: 12/18/17		

THESE DRAWINGS, OR ANY PORTION THEREOF, SHALL NOT BE USED ON ANY PROJECT OR EXTENSIONS OF THIS PROJECT EXCEPT BY AGREEMENT IN WRITING WITH IDAHO SURVEY GROUP, INC.

ADA COUNTY
TOTAL AREA ≈ ±6,994 ACRES



LEGEND

- 21 SECTION NUMBER
- ⑦ GOVERNMENT LOT NUMBER



THESE DRAWINGS, OR ANY PORTION THEREOF, SHALL NOT BE USED ON ANY PROJECT OR EXTENSIONS OF THIS PROJECT EXCEPT BY AGREEMENT IN WRITING WITH IDAHO SURVEY GROUP, INC.

NO.		REVISIONS		BY	DATE
IDAHO SURVEY GROUP, LLC					
				9955 W. EMERALD ST. BOISE, IDAHO 83704 PH. (208) 846-8570 FAX (208) 884-5399	
AVIMOR					
ADA COUNTY ANNEXATION EXHIBIT					
LOCATED SECTIONS 1-5, 7-12, 13, 17, 18, 24, T.5N., R.1E., AND SECTIONS 6, 7, 8, 17, 18 AND 19 T.5N., R.2E., B.M., ADA COUNTY, IDAHO					
DRAWN:	CMCCAMMON	CHECKED:	CMM	JOB NO.	SHEET NO.
DATE:	4/12/2022	DATE:	12/18/17	17-410	2 OF 2