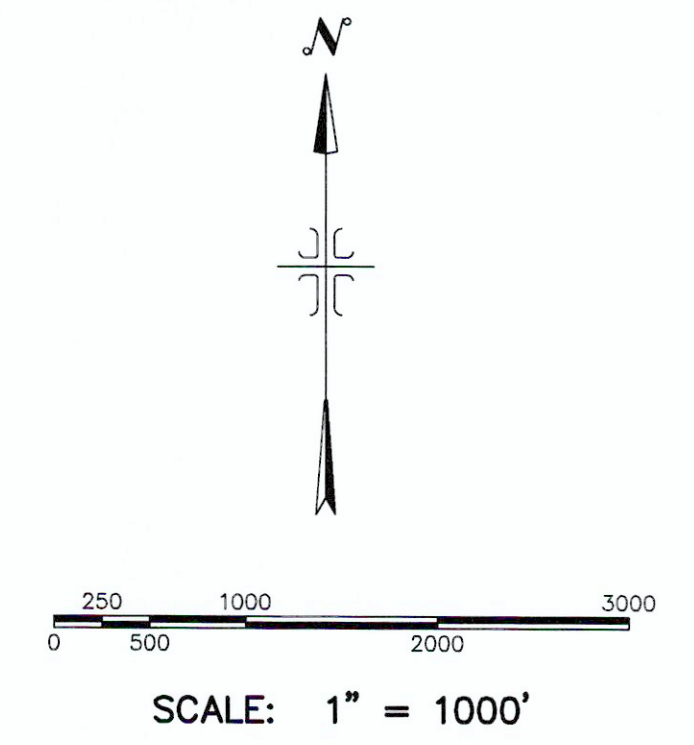
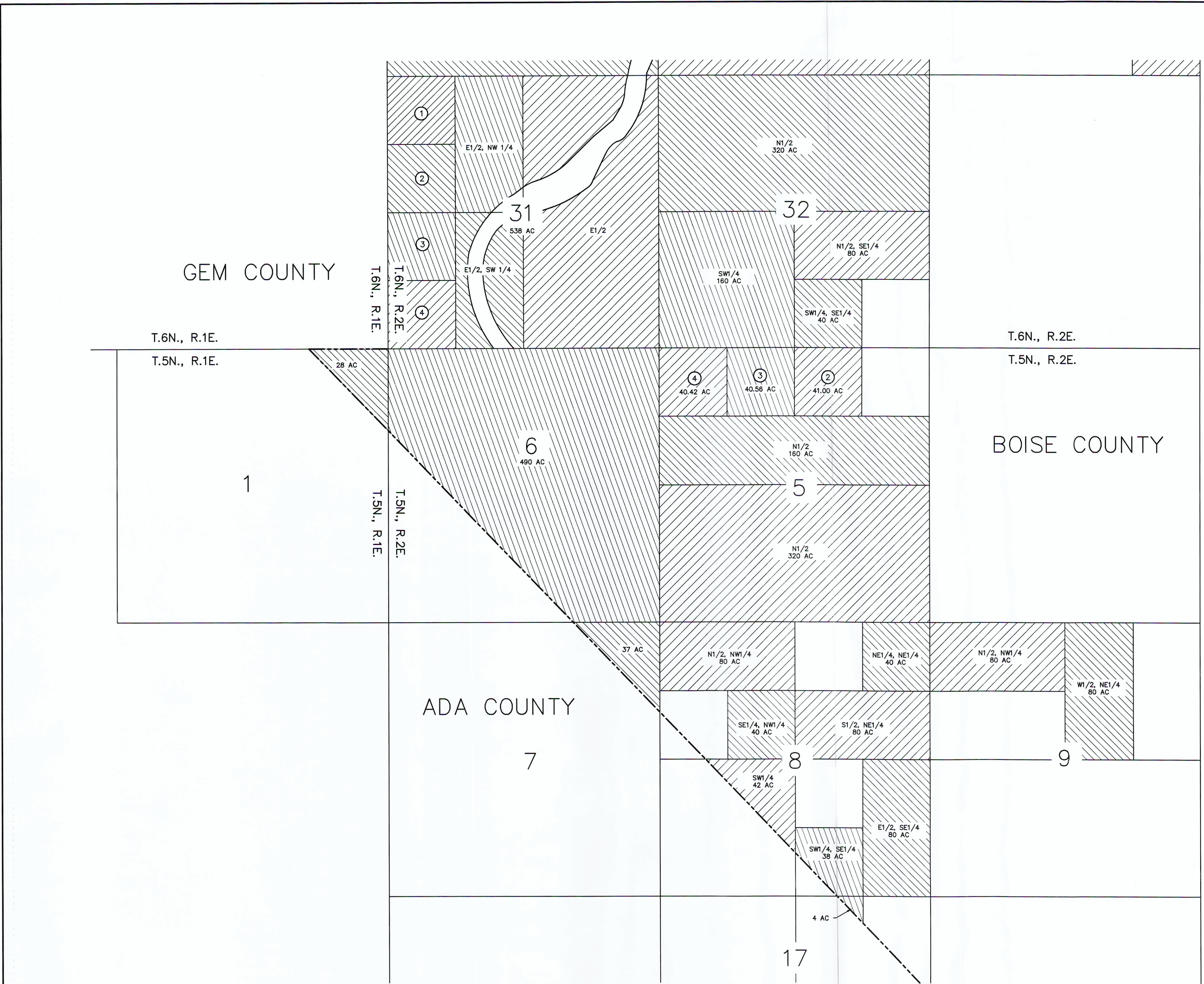


BOISE COUNTY
TOTAL AREA ≈ ±5306 ACRES



LEGEND

- 21 SECTION NUMBER
- ⑦ GOVERNMENT LOT NUMBER



NO.	REVISIONS	BY	DATE
IDAHO SURVEY GROUP, LLC			
9955 W. EMERALD ST. BOISE, IDAHO 83704 PH. (208) 846-8570 FAX (208) 884-5399			
AVIMOR			
BOISE COUNTY ANNEXATION EXHIBIT			
LOCATED IN SECTION 1, T.5N., R.1E., SECTIONS 5, 6, 7, 8, 9 AND 17, T.5N., R.2E., SECTIONS 7, 17, 18, 19, 20, 21, 28, 29, 30, 31 32, T.6N., R.2E., B.M., BOISE COUNTY, IDAHO			
DRAWN:	CMCCAMMON	CHECKED:	CMM
DATE:	4/22/2022	DATE:	12/18/17
JOB NO.	17-410	SHEET NO.	2 OF 2

THESE DRAWINGS, OR ANY PORTION THEREOF, SHALL NOT BE USED ON ANY PROJECT OR EXTENSIONS OF THIS PROJECT EXCEPT BY AGREEMENT IN WRITING WITH IDAHO SURVEY GROUP, INC.