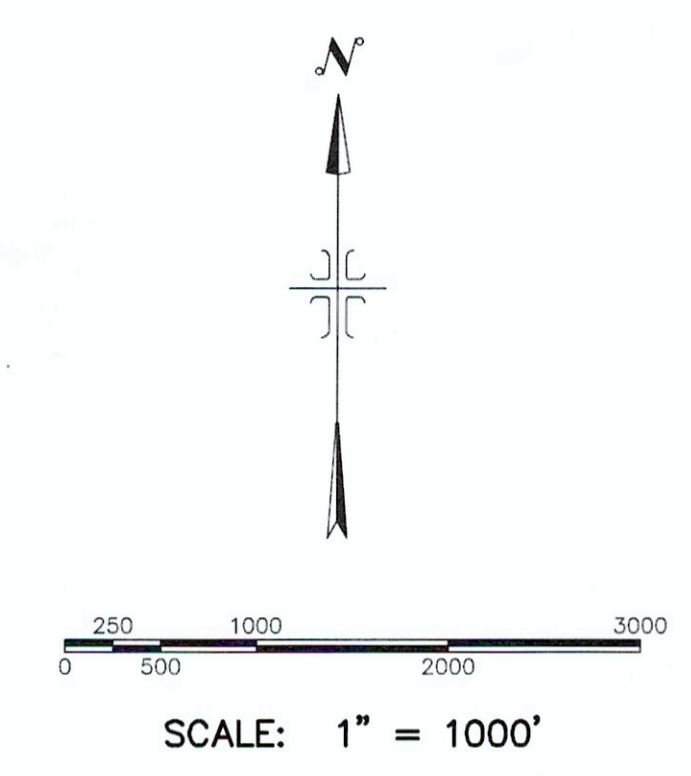


GEM COUNTY
TOTAL AREA ≈ ±5876 ACRES



LEGEND

21 SECTION NUMBER

⑦ GOVERNMENT LOT NUMBER

BOISE COUNTY

NO.		REVISIONS		BY	DATE

ISG	IDAHO SURVEY GROUP, LLC	9955 W. EMERALD ST. BOISE, IDAHO 83704 PH. (208) 846-8570 FAX (208) 884-5399			
	AVIMOR				
	GEM COUNTY ANNEXATION EXHIBIT				
LOCATED SECTIONS 12, 13, 14, 21, 22, 23, 24, 25, 26, 27, 28, 33, 34, 35 36, T.6N., R.1E., B.M., GEM COUNTY, IDAHO					
DRAWN:	CMCCAMMON	CHECKED:	CMM	JOB NO.	SHEET NO.
DATE:	4/22/2022	DATE:	12/18/17	17-410	1

THESE DRAWINGS, OR ANY PORTION THEREOF, SHALL NOT BE USED ON ANY PROJECT OR EXTENSIONS OF THIS PROJECT EXCEPT BY AGREEMENT IN WRITING WITH IDAHO SURVEY GROUP, INC.